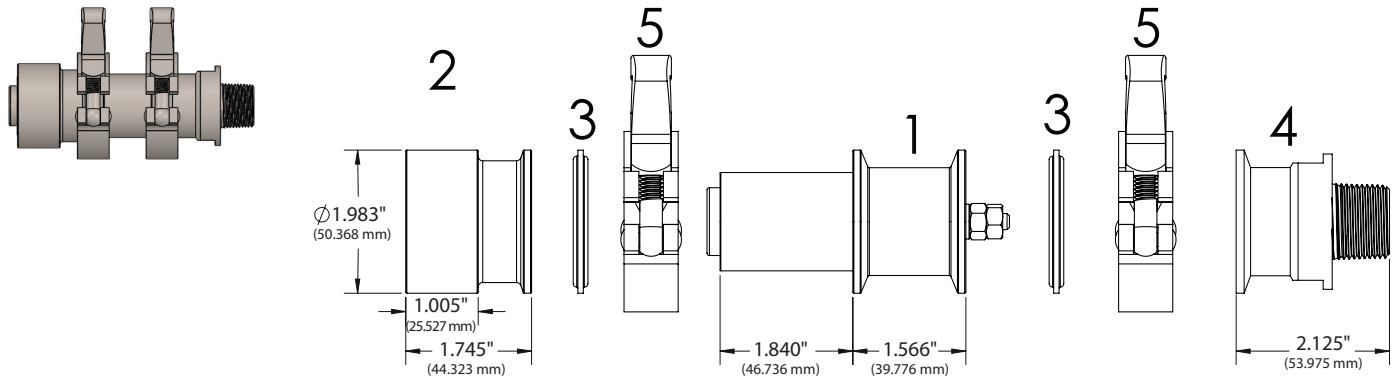


Tri-Clamp Model Dimensional Diagrams

Specifications subject to change without notice.

VA-06-TRI-TRI



Item No.	Description	VA-06-TRI-TRI	VA-12-TRI-TRI
1	Tri-Clamp AirSweep Body	VA-06-316-TRI-TRI	VA-12-316-TRI-TRI
2	Mounting Coupling	MC-06-316-TRI	MC-12-316-TRI
3	Gasket	GASKET-06-TRI	GASKET-12-TRI
4	Adapter	AD-06-TRI	AD-12-TRI
5	Clamp	CLAMP-06-TRI	CLAMP-12-TRI

Note: AirSweep Tri-Clamp Assemblies typically include the following parts, all sold separately:

- One (1) AirSweep Body
- One (1) Mounting Coupling
- Two (2) Clamps
- Two (2) Gaskets
- One (1) Adapter

VA-12-TRI-TRI

