

RotoGuard® III – Zero Speed Models

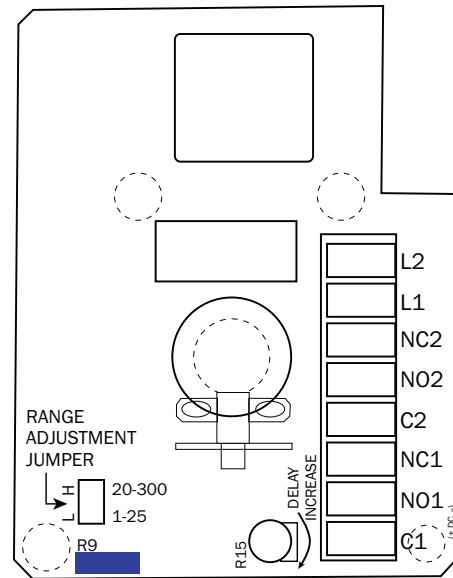
Alarm activates when the shaft speed drops below 1 RPM. This unit does not provide for field adjustments or calibration.

Model Number	Input Voltage	Mounting Frame
NEMA 4/5 – Weatherproof and dust tight		
SA3A1Z1	120 VAC	No
SA3B1Z1	120 VAC	Yes
SA3B2Z1	240 VAC	Yes

Model Number	Input Voltage	Mounting Frame
NEMA 7/9 – Explosion Proof*		
SX3A1Z1	120 VAC	No
SX3B1Z1	120 VAC	Yes
SX3B2Z1	240 VAC	Yes

CALIBRATION

No adjustment or calibration is needed. As long as input shaft speed exceeds 1 RPM, the output will be in the unalarmed position.

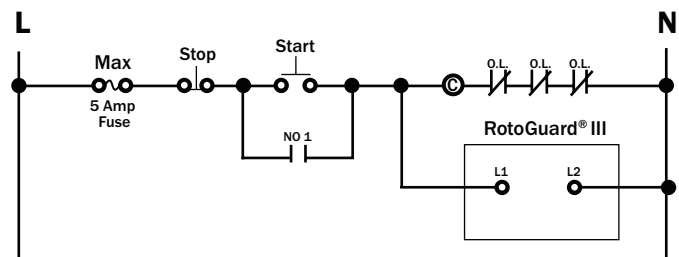


START-UP ALARM ADJUSTMENT

The startup alarm delay feature allows time for conveyors, etc. to come up to speed before the RotoGuard III's output alarms. Adjustment from 0 to 60 seconds is possible from the **R15** trimmer. This delay occurs only after initial power up of the RotoGuard III. The RotoGuard III must be unpowered approximately 10 seconds for reset of the startup delay.

Adjust **R15** fully clockwise for zero delay and fully counterclockwise for 60 second delay. A 1/4 turn is approximately 20 seconds.

Example of wiring for Startup Alarm Delay



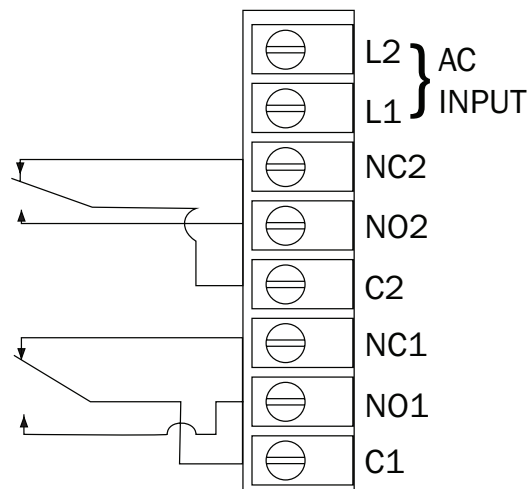
RotoGuard® Zero Speed Specifications:

Housing	Polyester Coated Aluminum Casting
Input Shaft Speed	1 - 300 RPM
Input Voltage	120 VAC or 240 VAC at 50/60 Hz (Factory Selectable)
Output Relay	DPDT (Double Pole, Double Throw) 5 Amp @ 120 VAC, 240 VAC or 24 VDC
Temperature	-40 °F to 160 °F (-40 °C to 71 °C)
Power Consumption	3 Watt
Shaft Dimensions	5/8" dia. with 1 flat suitable for flexible K-coupling
Conduit	3/4" NPT opening
NEMA Rating	NEMA 4/5 Weatherproof and dust tight or NEMA 7/9 Explosion Proof available with specific models.
Note: Input shaft speed must not exceed 100 RPM on NEMA 7/9 Explosion-Proof models	
Alarm Point	Less than 1 RPM
Startup Delay	0-60 Seconds

Wiring – Relay Output

*Note: Use copper conductors only
with 60/75 ° C (140/167 ° F)
insulation rating.*

Torque power connections to 7 lb-in.



Contact shown with relay de-energized.
(Alarm State)