

The new AirSweep® Hardface Series is ideal for applications involving abrasive materials such as cements, minerals, carbon, clay, fly ash, silica, and more.

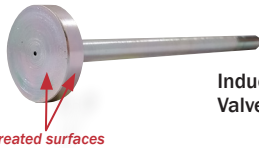
The front surface of the valve stem, the AirSweep component that comes in contact with materials, is treated to resist abrasion, wear, and corrosion.

The Hardface Series is easily retrofitted to existing AirSweep installations.



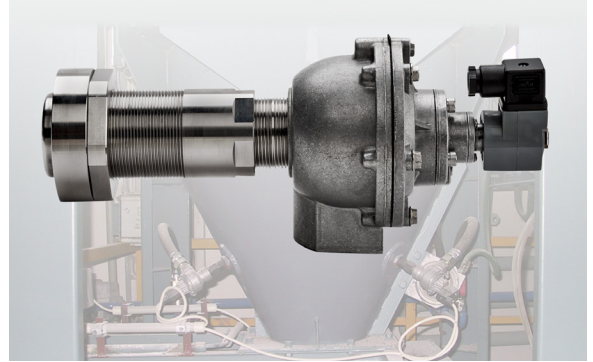
Chromium Carbide Surfaced Valve Stem for VA-51-SS and VA-51-316

**Chromium Carbide Surfacing** – High pressure plasma spray gun with the chemical powder mixture of Chromium carbide and Nickel Chromium. The spray gun operates until the ideal molten metal deposition thickness, at 1400° C (2,550° F) is achieved.



Induction Hardened Valve Stem for VA-06-CS

**Induction Hardening** – A form of heat treatment in which a steel or cast iron part is heated by electromagnetic induction, immediately followed by rapid cooling (quenching). Upon quenching, the metal undergoes martensitic transformation, significantly increasing its hardness.



	Carbon Steel	Stainless Steel
<b>Models</b>	VA-06-CS-HF	VA-06-SS-NPT-TB-HF and VA-06-316-NPT-TB-HF
	VA-12-CS-HF	VA-12-SS-HF and VA-12-316-HF
	VA-51-CS-HF	VA-51-SS-HF and VA-51-316-HF
<b>Hardening Method</b>	Induction Hardened	Chromium Carbide Surfaced
<b>Thickness of Hard Coat</b>	Approx 0.003" to 0.005" (0.076 mm to 0.127 mm)	0.008" to 0.012" (0.203 mm to 0.030 mm)
<b>Rockwell Hardness</b>	55-60 HRC	50-54 HRB
<b>Maintenance Kit</b>	RK-06-CS-HF	RK-06-304-HF and RK-06-316-HF
	RK-12-CS-HF	RK-12-304-HF and RK-12-316-HF
	RK-51-CS-HF	RK-51-304-HF and RK-51-316-HF

Sanitary-style Tri-clamp and Straight Shooter models available upon request. Specifications subject to change without notice.

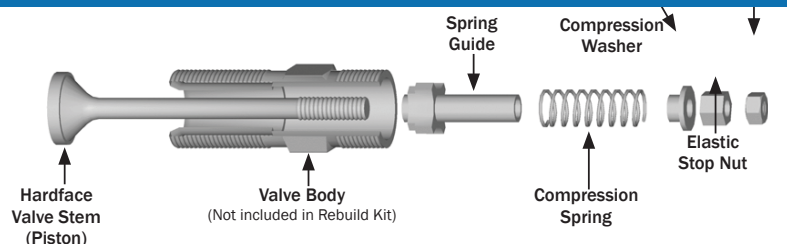
## Maintenance Kit

**Service interval of internal parts:**  
Approximately 1 million cycles.\*

**Maintenance required:**  
Replacement of internal parts.

**AirSweep Nozzle Maintenance Kit contains 1 each:**

- hard-face valve stem
- spring guide
- compression washer
- compression spring
- elastic stop nut\*\*
- jam nut



\* Typical service interval under standard operating conditions. Some environments, materials and processes may require a shorter useful service interval.

\*\* The VA-06, and VA-06-316-TRI-TRI rebuild kit includes two elastic stops nuts and no jam nut.