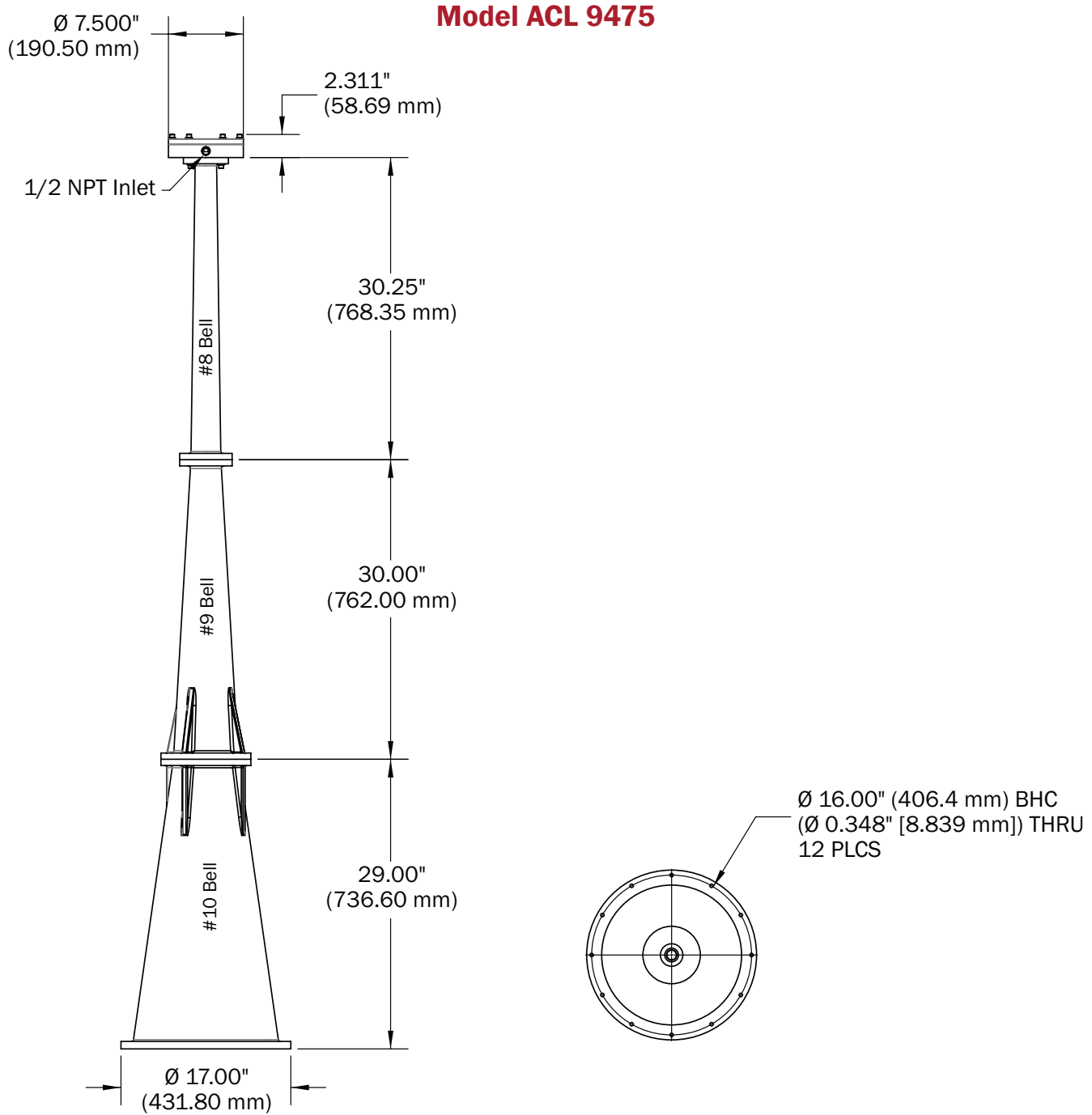


Specifications subject to change without notice.



**CONTROL**  
**CONCEPTS USA**

19 S. Main Street,  
Brooklyn, CT 06234

Asia Office:  
160 Robinson Road, #14-04  
Singapore Business Federation  
Centre Singapore 068914

E: [Sales@ControlConceptsUSA.com](mailto:Sales@ControlConceptsUSA.com)  
P: 860-928-6551 • F: 860-928-9450  
[www.AcoustiClean.com](http://www.AcoustiClean.com)

